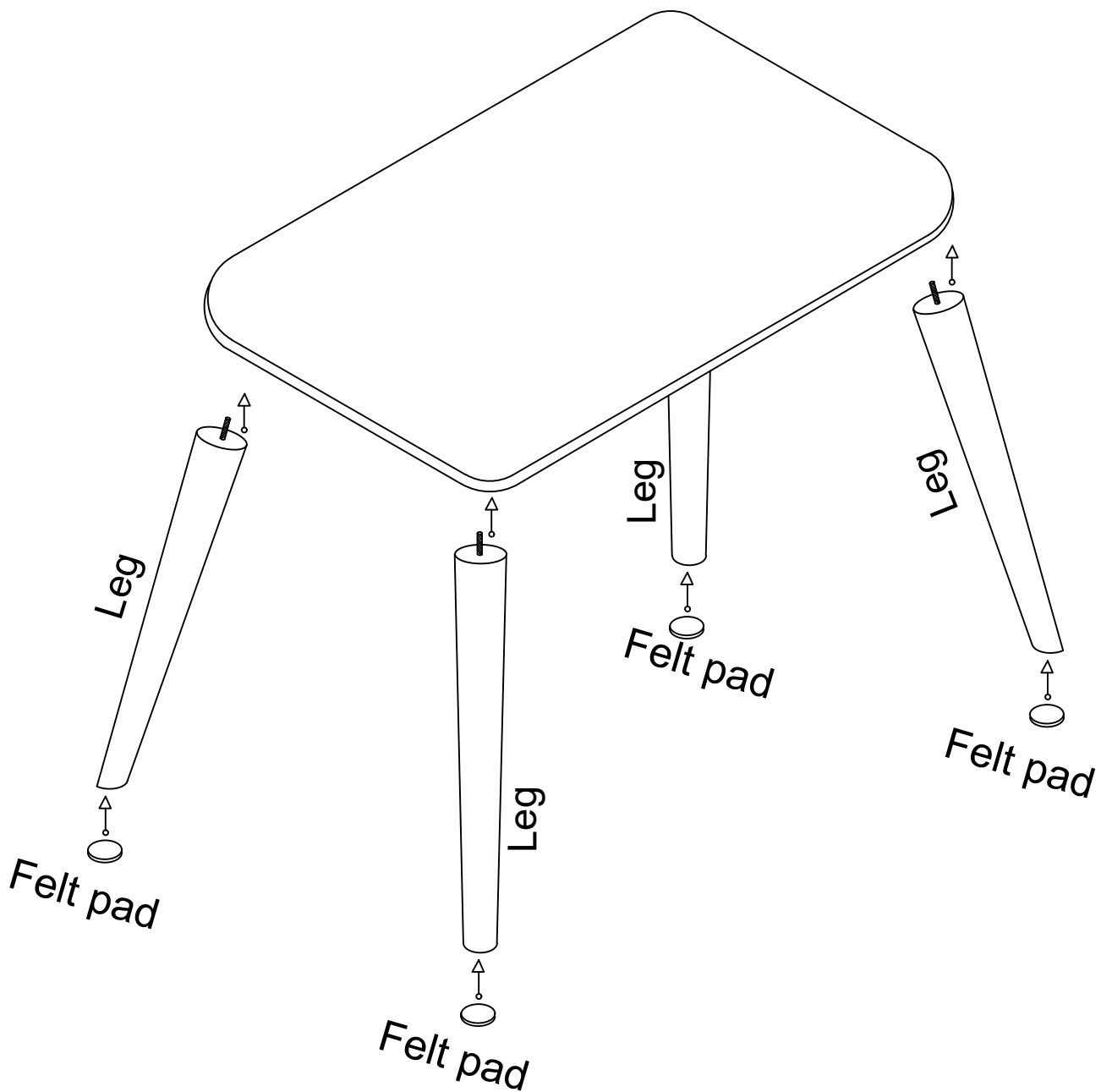


Assembly Instructions - SET OF 3 - Wooden Legs



Steps:

There are: 3 size tables tray ;12 Wooden legs

- Make sure to install legs with equal heights on each table top.
- Position the trays on flat surface.
- Attach the tray to the legs with the mounting screws to the plastic pre-mounting plates on the tray ,Repeat the previous steps with all table trays
- Install the felt pads on the bottoms of legs to prevent slipping and scratches on the floor.